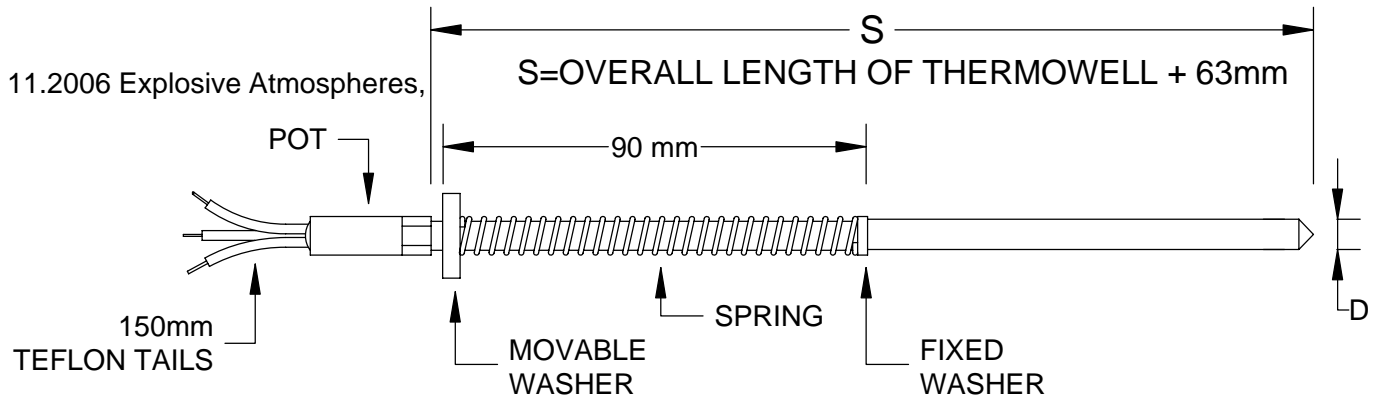



OPTION - Ex ia
Compliance with ANSI AS/NZS 60079. 11.2006 Explosive Atmospheres,
Intrinsic safety Ex ia (1047 RTD & TC)

- Duplex - RTD 3 / 4 wire
- Duplex - RTD 4 wire (MIMS)
(Suitable for SIL2) 8 wire
- Duplex - Thermocouple

- TYPE K THERMOCOUPLE
- TYPE J THERMOCOUPLE
- TYPE T THERMOCOUPLE
- TYPE N THERMOCOUPLE
- 3 WIRE PT100 OHM RTD
- 4 WIRE PT100 OHM RTD

**316 S/S NIPPLE / UNION / NIPPLE
SPRING LOADED ASSEMBLY.**



TEMPERATURE CONTROLS PTY LTD		Certificate No: QEC 14412 ISO 9001:2008
CONDITIONS		SYDNEY : 7 YAMMA ST SEFTON , NSW 2162 PHONE : (02) 9721 8644 FAX : (02) 9738 9339 MELBOURNE : 8/280 Whitehall St YARRAVILLE VIC 3013 PHONE : (03) 9687 0000 FAX : (03) 9687 1900 EMAIL : sales@temperature.com.au
THIS DRAWING IS OUR EXCLUSIVE PROPERTY AND MUST NOT BE COPIED OR HANDED TO ANY OTHER PARTIES WITH OUT WRITTEN PERMISSION. IT SHALL BE RETURNED UPON REQUEST		
TITLE		
SIZE : A4	DATE : 29/11/12	
SCALE : NTS	DRAWING BY R.B	REV : 00